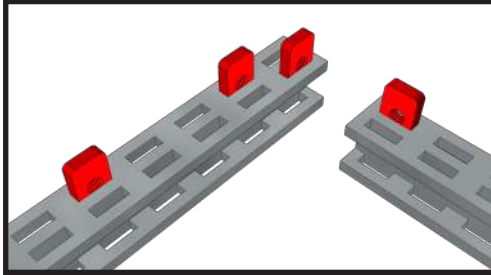
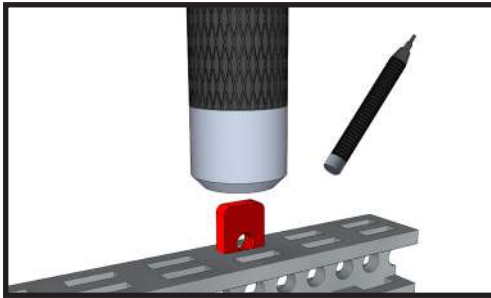


Totem Hints and Tips

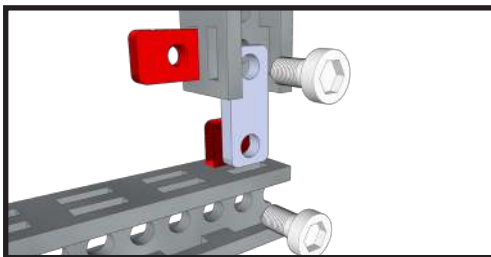
1 Good idea to start with putting the nuts into their correct slots.



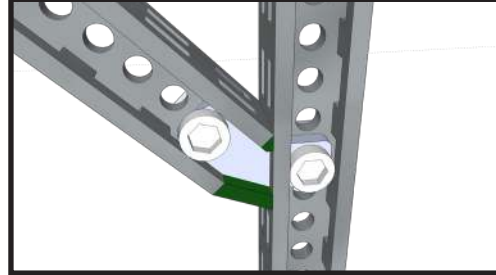
2 Use back of screwdriver to push nut into slot in beam.



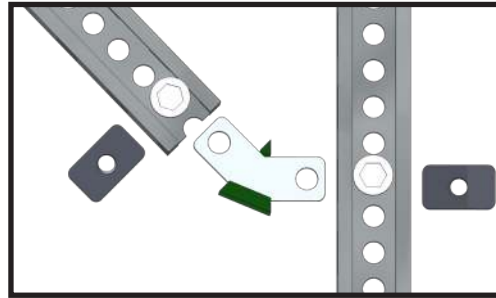
3 Simple corner with the "2-hole simple bracket"



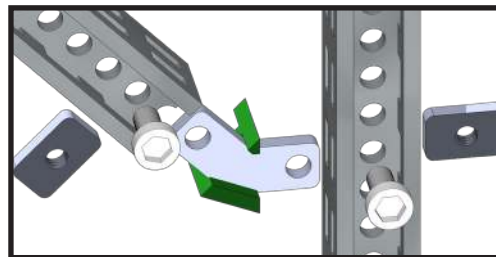
4a 45 degree connection with a "single side filler".



4b 45 degree connection exploded side-view.

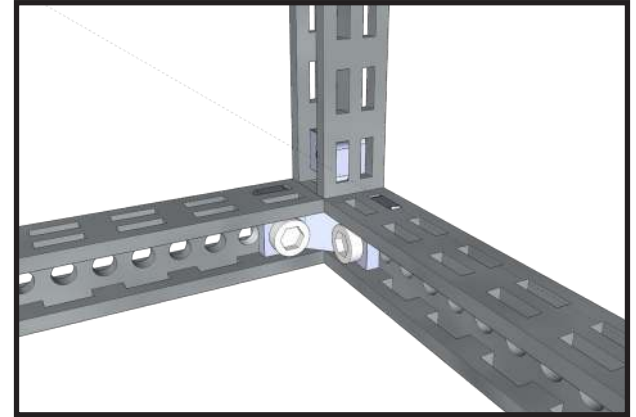


4c An exploded perspective view.



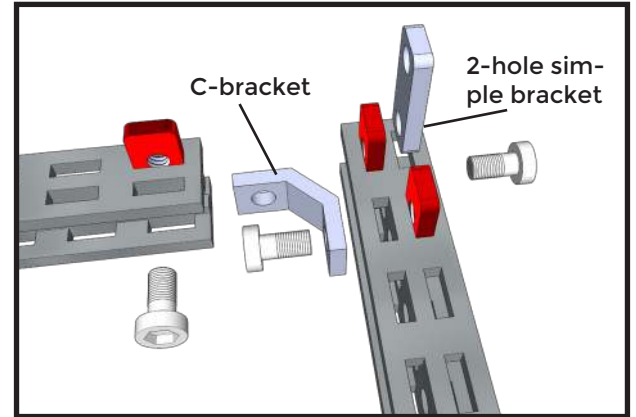
5a

A typical C-bracket corner, with also a vertical connection to a beam.



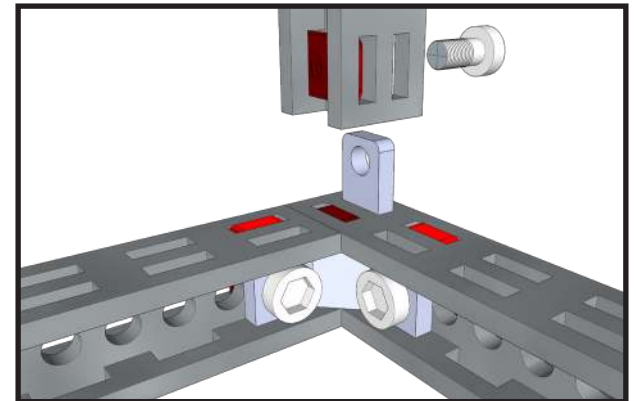
5b

Start with the nuts, then use the 6mm M3 bolts to fasten the brackets.



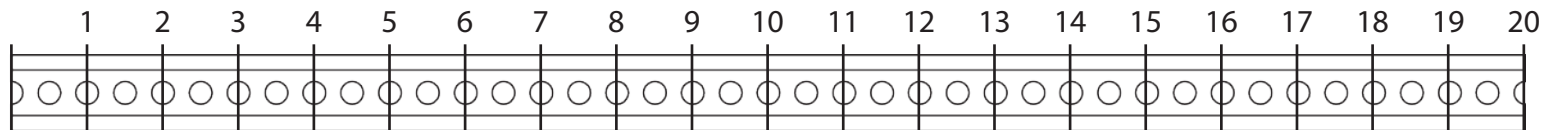
5c

Join the vertical beam to the 2-hole simple bracket. Use one 6mm bolt and nut.



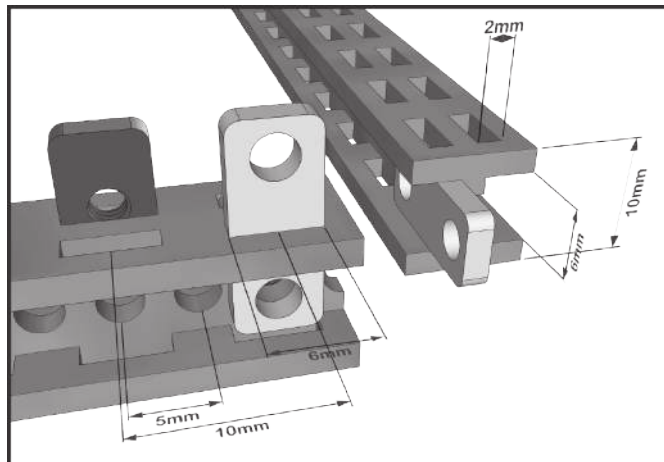
Totem Hints and Tips

Beams Ruler (cm)



Totem Grid

The geometry of Totem is so that brackets and nuts are 2x6mm profile, and they fit into the beams in 2 directions.



5mm and 10mm grids, is also present in our perforated Boards. The holes are 5mm apart, and can be fitted to other Totem parts in many ways.

