

1

2x 14cm
2x 3cm



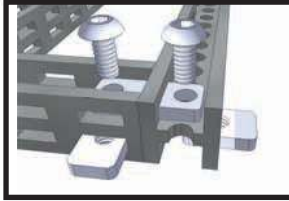
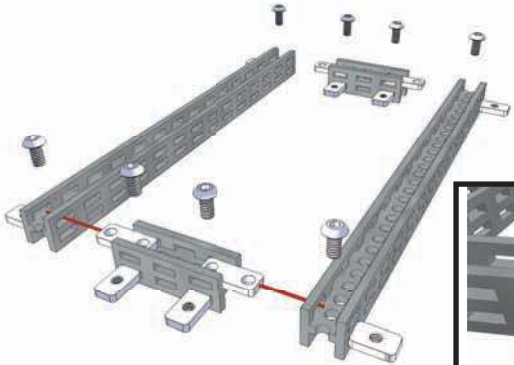
4x



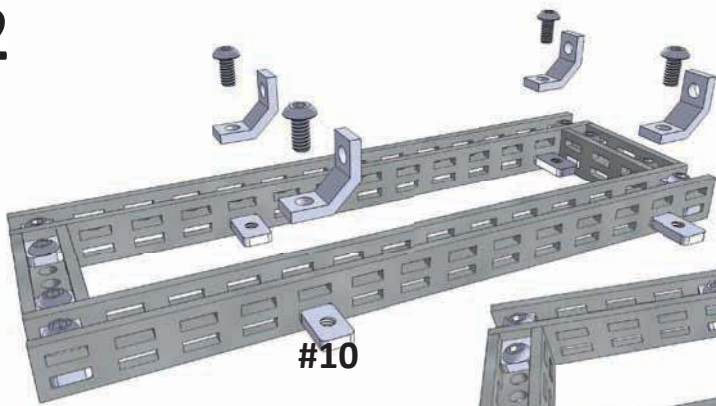
8x

6mm

8x



2



#10



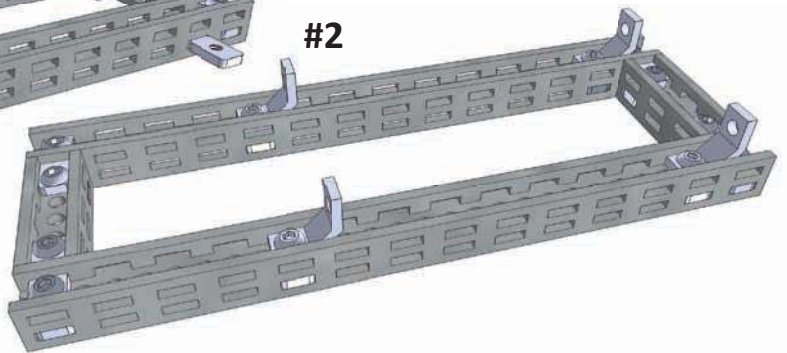
4x



4x

6mm

4x



3

2x 11cm
2x 4cm



4x

6mm



4x



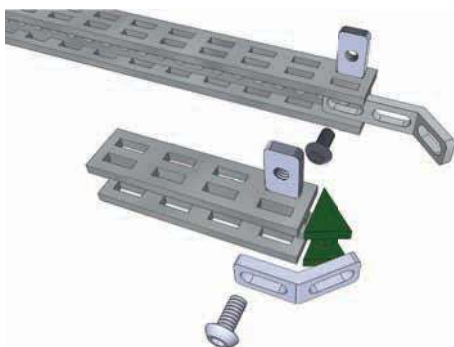
2x



2x



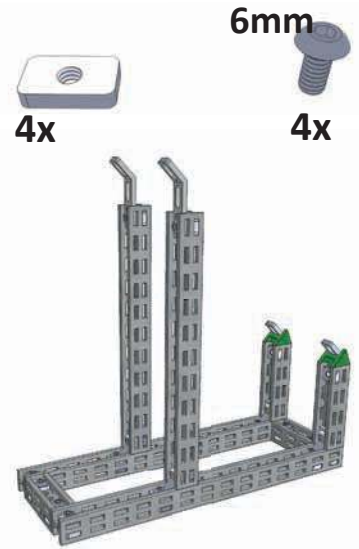
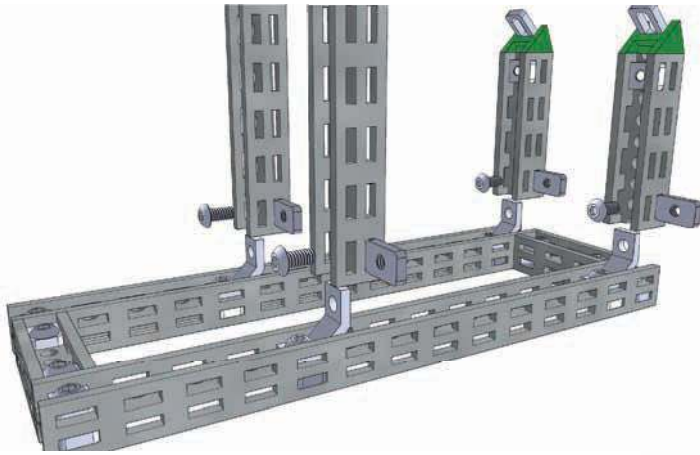
2x



A (2x)

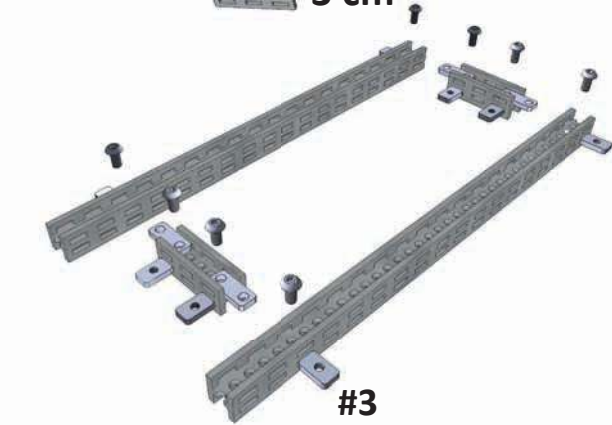
B (2x)

4



5

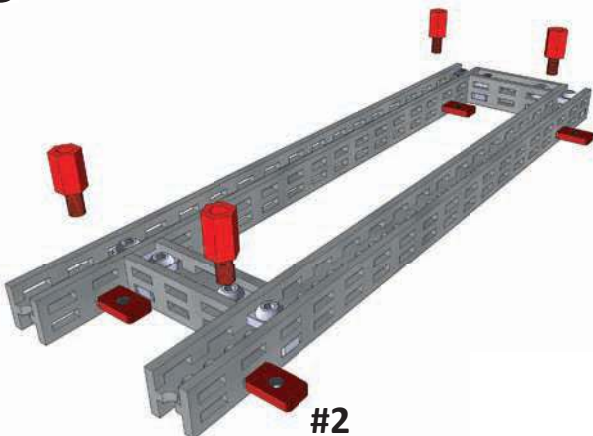
2x 18 cm
2x 3 cm



8x 4x 6mm 8x

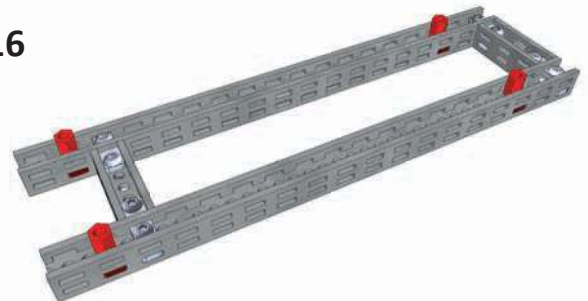


6

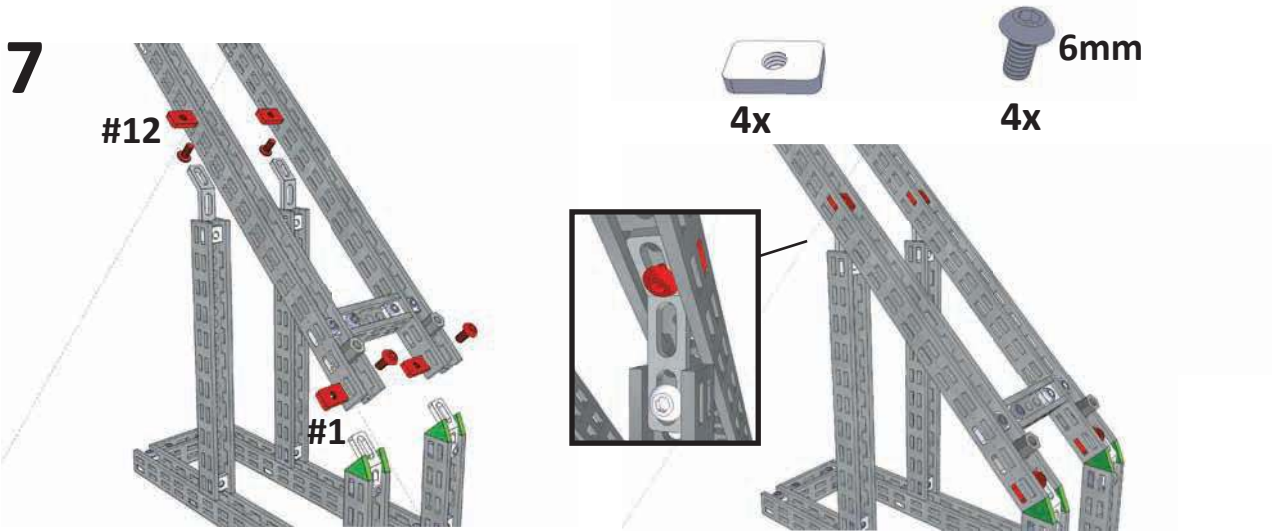


4x 4x

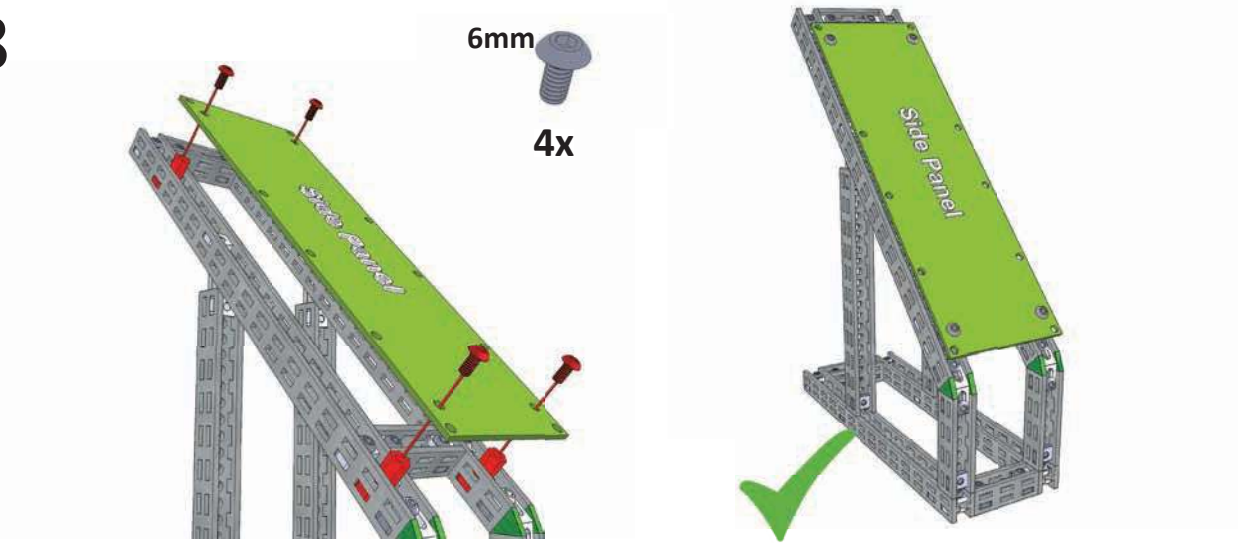
#16



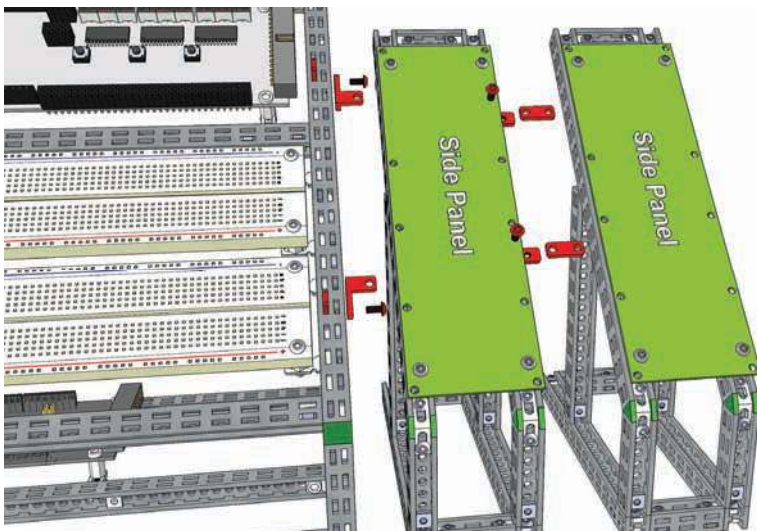
7



8



9



I/O SIDE PANEL

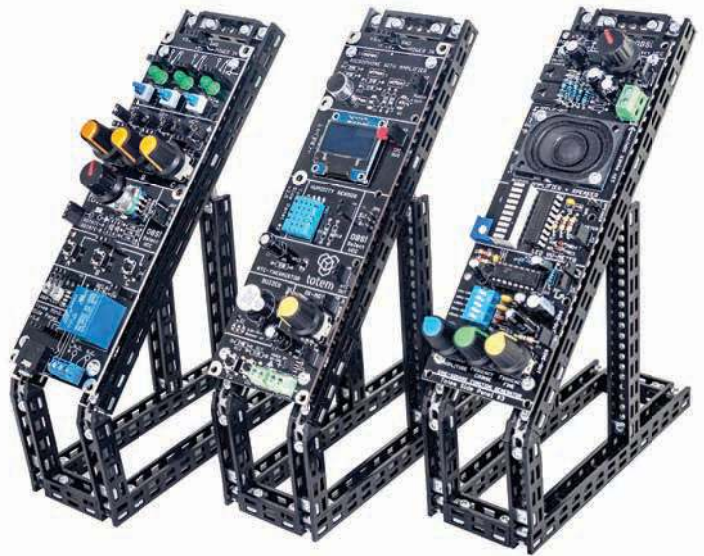
- 3 push-push switches with LED indicators;
- 3 Potentiometers (10kOhms);
- 1 Rotary encoder switch;
- 3 push button switches;
- 1 RGB-LED (can show virtually any color);
- 1 3.5mm Jack connector;
- 1 Relay , 10A/250v , with LED indicator.

SENSOR SIDE PANEL

- Microphone;
- 128×64 OLED display;
- DHT11 humidity sensor;
- NTC thermistor;
- Piezo electric buzzer;
- DC motor driver module;

AUDIO SIDE PANEL

- Audio amplifier with speaker
- LED VU-meter;
- Function generator.



Totem Maker Kit

For those who want to get full Totem construction system experience!

- Beams and boards – one size;
- Informative assembly guide book;
- All Tools for shaping Beams, Boards and Strip Brackets;
- Small parts are provided in a nice compartment box.

Side Panel Stand

Product code:
TKM-MLE1



Follow us:

www.totemmaker.net

 @Totemmaker

 @totemmaker

 Totemmaker